



1900 Multi-Canister Auto-Sampler Features

- Silonite D™ Coated sample paths to reduce cross contamination and carryover.
- No solenoid valves, elastomers, or mass flow controllers in sample path.
- Passive Sampling between 0.1 cc/min - 450 cc/min.
- System can sample unattended for 1 year by taking (26) 2 week samples.
- Software controlled CS1200E Passive Canister Sampler adjusts flow rates during sample as necessary.
- An internal vacuum pump pulls 1-3 liters/minute of sample through the internal sampling manifold to prevent compositional changes to the sample inside the tubing between the 1900 and the sampling point.
- Large Silonite coated prefilter keeps lines clean from the outside where air is introduced all the way to the back of the 1900.
- Each channel is self-sufficient allowing separate flow rate configurations and sampling events.
- Flow rates can be reconfigured in the field using a vacuum source.
- Unique volume control is implemented using "Flow Professor Technology" that ensures canisters fill to the same pressure every time.
- Each port has an independent pressure sensor that displays real time pressure readings between 0-15 psia.
- Each port can be individually leak checked using the 1900 software.
- Each sample is recorded and displayed on the report tab for quick reference.
- Software allows easy scheduling of sampling events up to weeks in advance.
- Compatible with EPA Method TO14A, TO15, LL-TO15, TO17 and China Method HJ-759-2015.

Configurations and Add-ons

- Channel 1 has the following port configurations.
 - o 1 position
 - o 8 positions
 - o 16 positions*
- Channel 2 has the following port configurations.
 - o No Installation
 - o 1 position
 - o 16 positions*

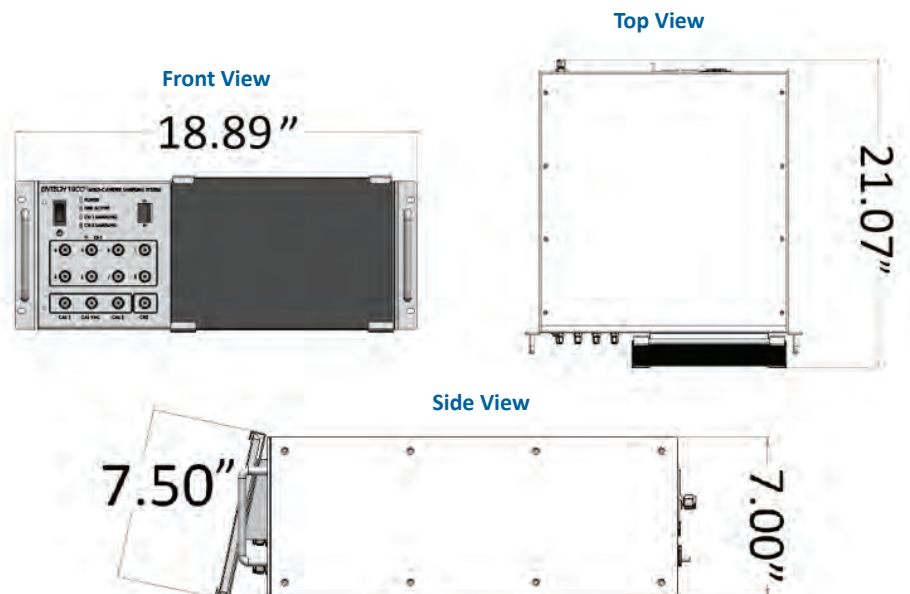
*All 16 port configurations require the 1916 Expansion Module.

Power Requirements

- 120 VAC / 60 Hz, 230 – 240 VAC 50 Hz, 12 VDC / 6A.
- 2A fuse on the AC input.

Connections

- Sample inlet utilizes ¼" tubing.
- Channel and calibration ports are 1/8" male compression fittings. Canisters would require an adapter to ¼" fitting. (The adapter is provided in the installation kit.)



Inputs and Outputs

Label	Type	Voltage	Description
1 – 8	Analog Output	0 – 5 VDC	Pressure sensor voltage for each port on the 8-channel option
CH1 Start CH2 Start	Contact Closure	Open/GND	GND: Start sampling
CH1 Flow CH2 Flow	Analog Output	0 – 5 VDC	Voltage representing the flow rate of the channel (scale is determined by max flow setting in software)
CH1 Pressure CH2 Pressure	Analog Output	0 – 5 VDC	Pressure sensor voltage for each CS1200E Passive Canister Sampler
CH1 Active CH2 Active	Digital Output	0.2 – 5 VDC	Low: Waiting to start sample or Sampling Hi: Not Sampling or waiting to start
Pump Flow	Analog Output	0 – 5 VDC	Voltage representing the Flow of the internal vacuum pump (0.2VDC = Flow is good 5 VDC = Not Flowing)
Valve Position	Analog Output	0-5 VDC	Encoder voltage for the Rotary valve on the 8-channel option
GND			System Ground

Control Unit Options

- Tablet running Windows 7 or 10 mounted to the front of the unit.
- User provided computer with Windows 10 and USB 3.0 port or Windows 7 (6th Generation Processor or earlier) and a USB 2.0 port.
 - o Entech 1900 Software (Version 1.0.2.4 or later)
 - o FTDI drivers for USB to serial devices

Physical Dimensions and Mounting

- Easily mounts inside 19-inch equipment rack.
- Rubber feet if used as bench top equipment.
- Weight: 2 channel (1/1) – 22.5 lbs.
- Weight: 2 channel (1/8) – 26 lbs.
- If the tablet and tablet support bracket are removed subtract 1.8 lbs.
- Height: 7.5" with tablet, 7" without tablet.
- Width: 18.89"
- Depth: 21.07"

Learn more about us:



entechinst.com



facebook.com/entechinst



twitter.com/entechinst



linkedin.com/company/entech-instruments-inc

Entech Instruments

2207 Agate Court
Simi Valley, CA 93065
Phone: 805.527.5939

Other Optional Components

- Optional 500VA - 1500VA / 300W - 900W Rackmount UPS System + Surge Protection, Load Level, and e-Correct voltage regulator.
- Optional Adjustable Height 19" Rackmount System

***Shown here with optional components
(Rackmount, 2X 16 Position Expanders, Canisters)**

